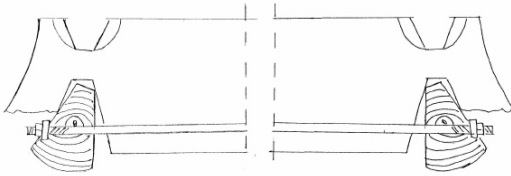
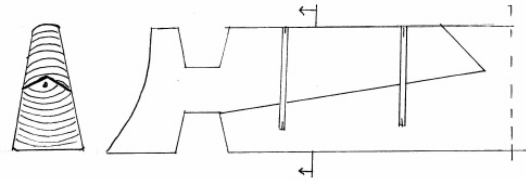


Attachment 5: Sketches

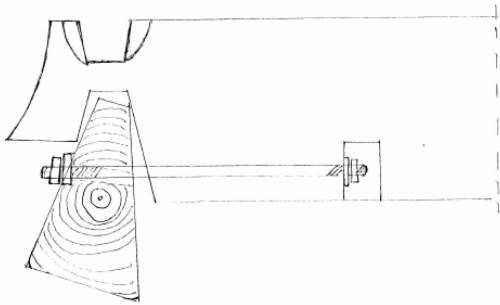
The Sketches below are all from the main report. This Attachment is provided to give a better overview.



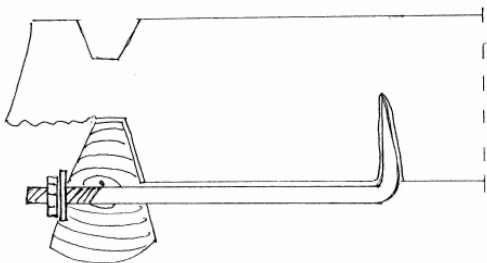
Sketch 2.1: Illustration of securing a pushed out ground sill with a long gjengestag, Rygnestadtunet, Valle.



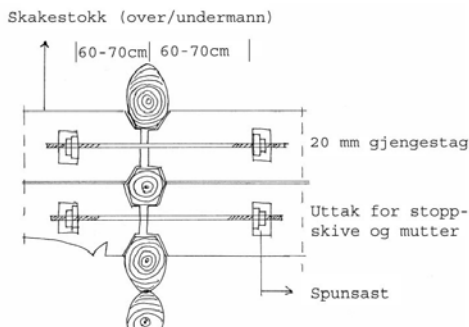
Sketch 2.5: Illustration of a spliced beam according to antiquarian methods.



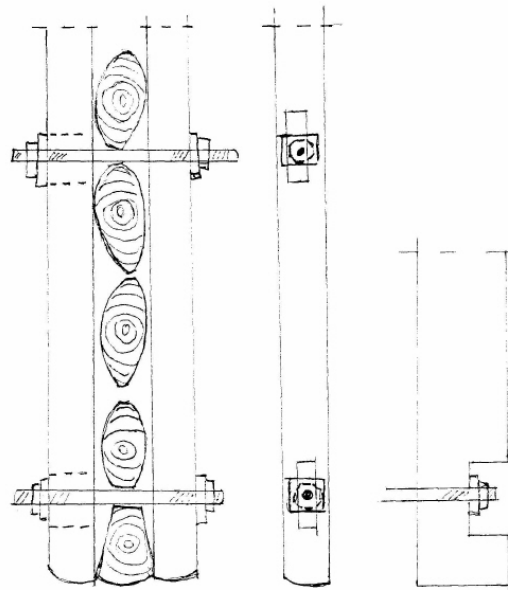
Sketch 2.2: Illustration of securing a pushed out sill with short gjengestag.



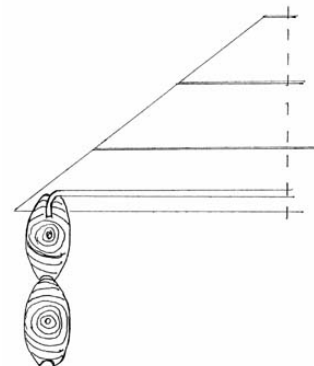
Sketch 2.3: Illustration of securing a pushed out sill with another form of short gjengestag.



Sketch 2.4: Illustration of using gjengestag to repair a cantilever.



Sketch 2.6: Illustration of a double plank carriage on the barn at Bakken, Bjørgum..



Sketch 2.7: Illustration of a log dog.